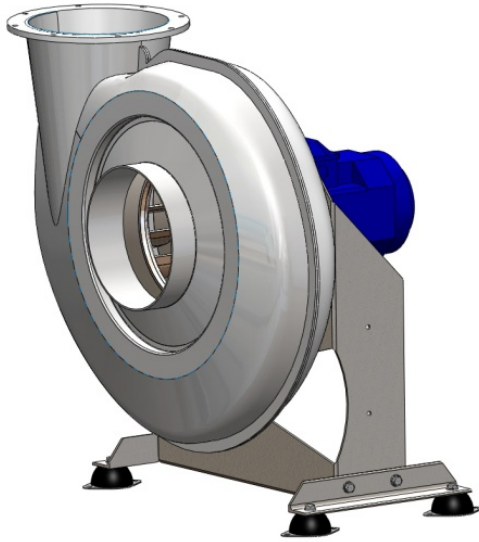


B-CHEM Arr.4 Direct driven



The plastic hood is suitable for use in:

- Acidic atmosphere
- Battery charging rooms
- Laboratory extract
- Chemical industry
- Photo industry
- Renovation halls

Single extraction fan with rotor and house molded in PP plastic material. Motor base in acid proof steel. Comes with 3 phase industrial motors, but can also be offered with spark proof / explosion proof motors for direct drive. Available in direct-driven and belt-driven design.

Dimension sketch.

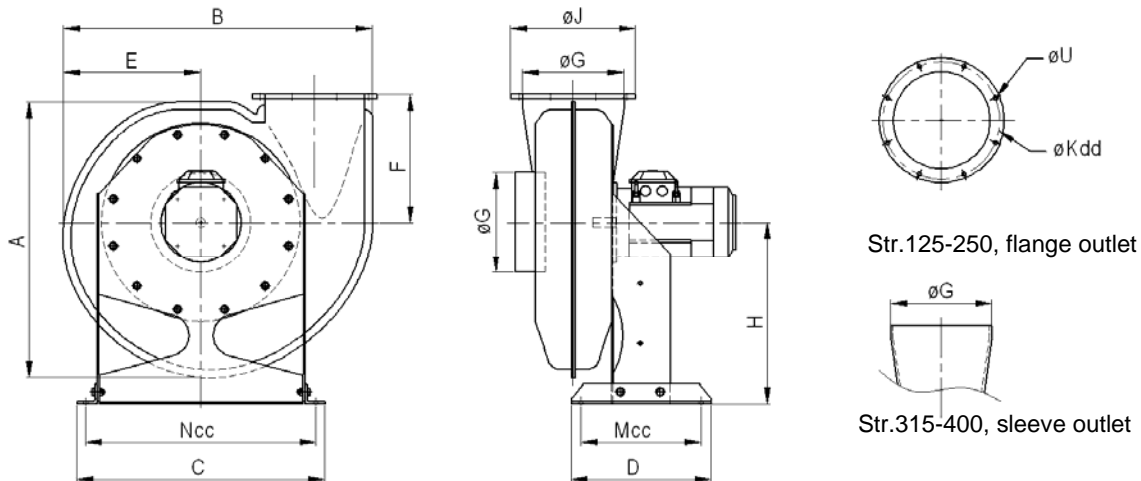
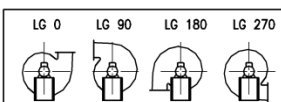


Table of dimensions.

Type	A	B	C	D	E	F	N cc	M cc	H	ø G	ø J	ø K dd	ø U	Ant. hull	Vekt, kg
125	335	389	342	294	174	168	302	256	230	125	184	160	6	6	23
160	429	497	412	320	223	215	372	282	291	160	215	193	8	8	38
180	483	560	454	350	251	242	414	300	331	180	236	195	9	8	41
200	537	622	495	350	279	269	455	300	364	200	255	230	9	10	43
250	575	703	618	350	324	320	568	300	454	250	312	285	10	10	55
315	790	930	707	400	410	404	657	350	529	315	-	-	-	-	82
400	857	1003	771	450	447	508	721	400	557	400	-	-	-	-	125

Measurements can be changed without prior notice. Note! Stated weight is excluding motor.

Positions.



Viewed from the drive side.